

DETAILS

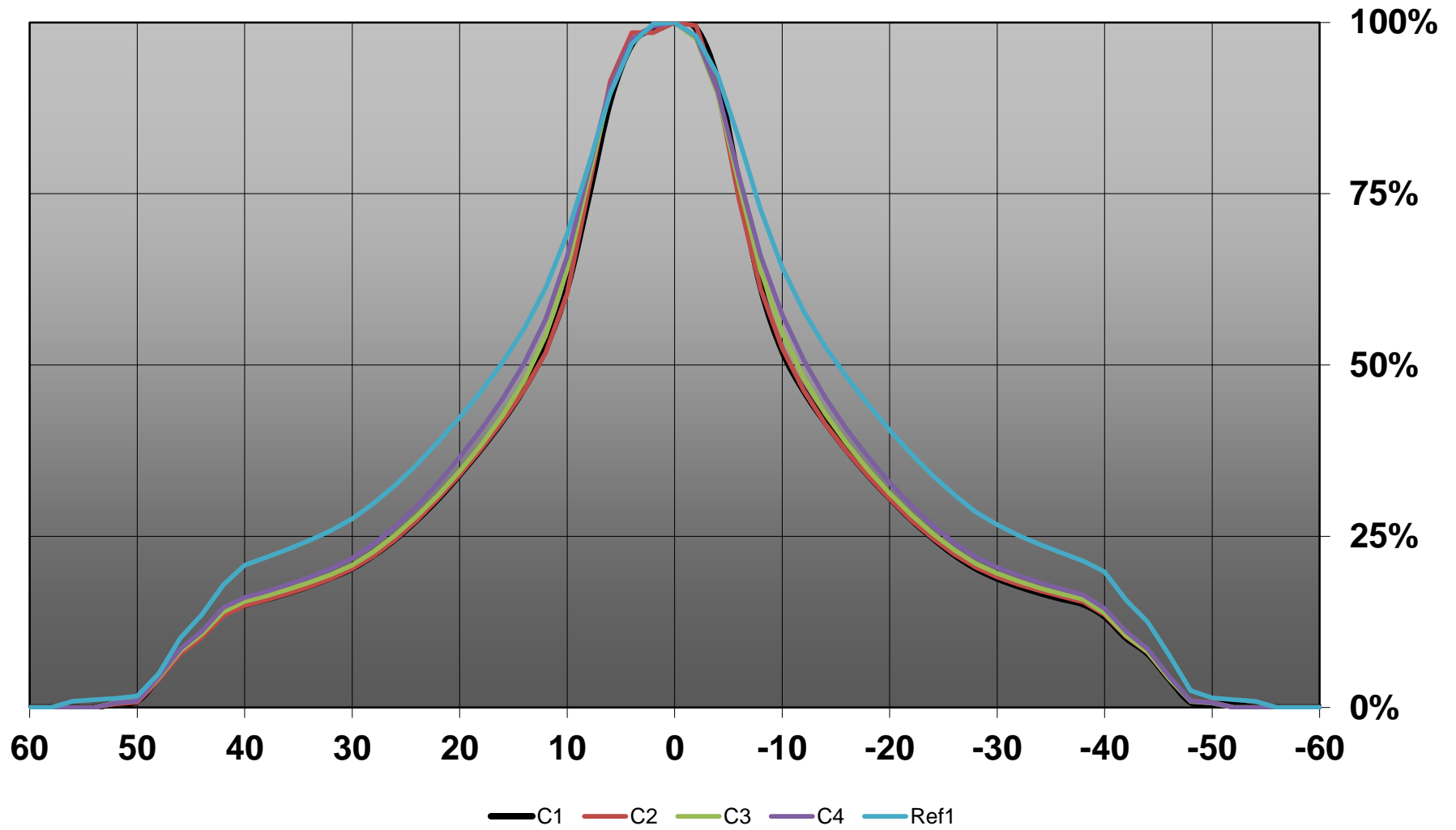
| | |
|------------------------|-------------------------|
| Product Number | CA14941_MINNIE-LT-M-PIN |
| Family | Minnie |
| Type | RefAssy |
| Color | metal |
| Diameter | 35 mm |
| Height | 15,6 mm |
| Style | round |
| Optic Material | |
| Holder Material | |
| Fastening | tape, pin |
| Status | production ready |
| ROHS Compliant | Yes |
| Date Updated | 14/10/2016 |



OPTICAL PROPERTIES

| LED | Viewing | Light | Efficiency | cd/lm | Connector |
|-----------|---------|--------|------------|-------|-----------|
| | Angle | Beam | | | |
| LUXEON M | 23 deg | Medium | 92 % | 2.000 | - |
| NFMW48xA | 20 deg | Medium | 91 % | 2.200 | - |
| Duris S10 | 26 deg | Medium | 91 % | 1.900 | - |
| Duris P10 | 23 deg | Medium | 91 % | 2.000 | - |

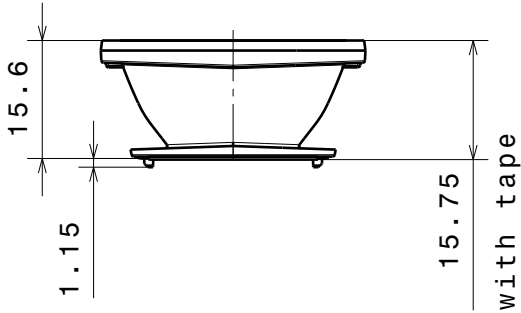
Relative intensity of CA14941_MINNIE-LT-M-PIN_(Luxeon_M)



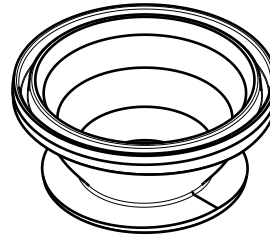
D C B A

4

4



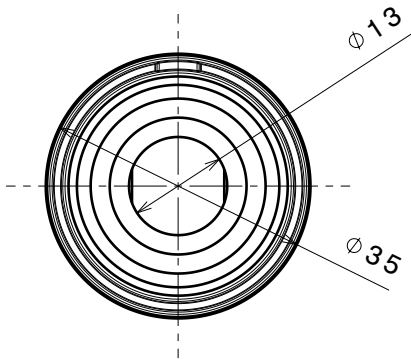
Front view



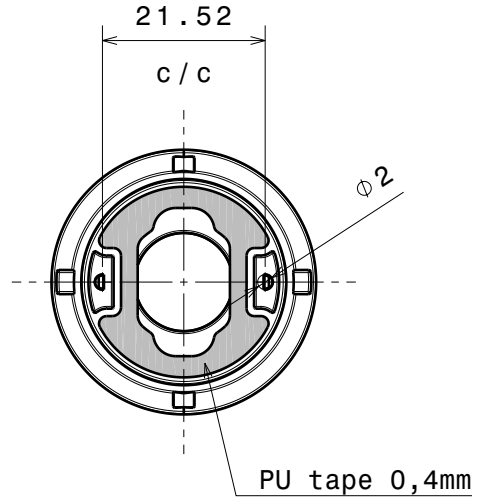
Isometric view

3

3



Top view



Bottom view

2

2

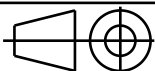
| INDEX | DESCRIPTION | MATERIAL | COLOUR |
|-------|-------------------------|----------|--------|
| 1 | MINNIE-LT-PIN_MechModel | PC | metal |

Tolerances if not otherwise shown
 According to DIN ISO 2768-1
 Linear measures:
 up to 30mm class M, otherwise class C
 According to DIN ISO 2768-2
 Form and position: class L



Ledil Oy
 Salorankatu 10
 FIN 24240 SALO
 Finland

THIRD ANGLE PROJECTION:



DRAWING TITLE

MINNIE-LT-PIN-Tape_MechModel

This drawing is the property
 of LEDiL Oy. It may not be
 reproduced, copied or
 communicated without a written
 agreement with LEDiL Oy.

SIZE PART NUMBER

A4

-

SCALE 1:1 WEIGHT

-

SHEET 1/1

1

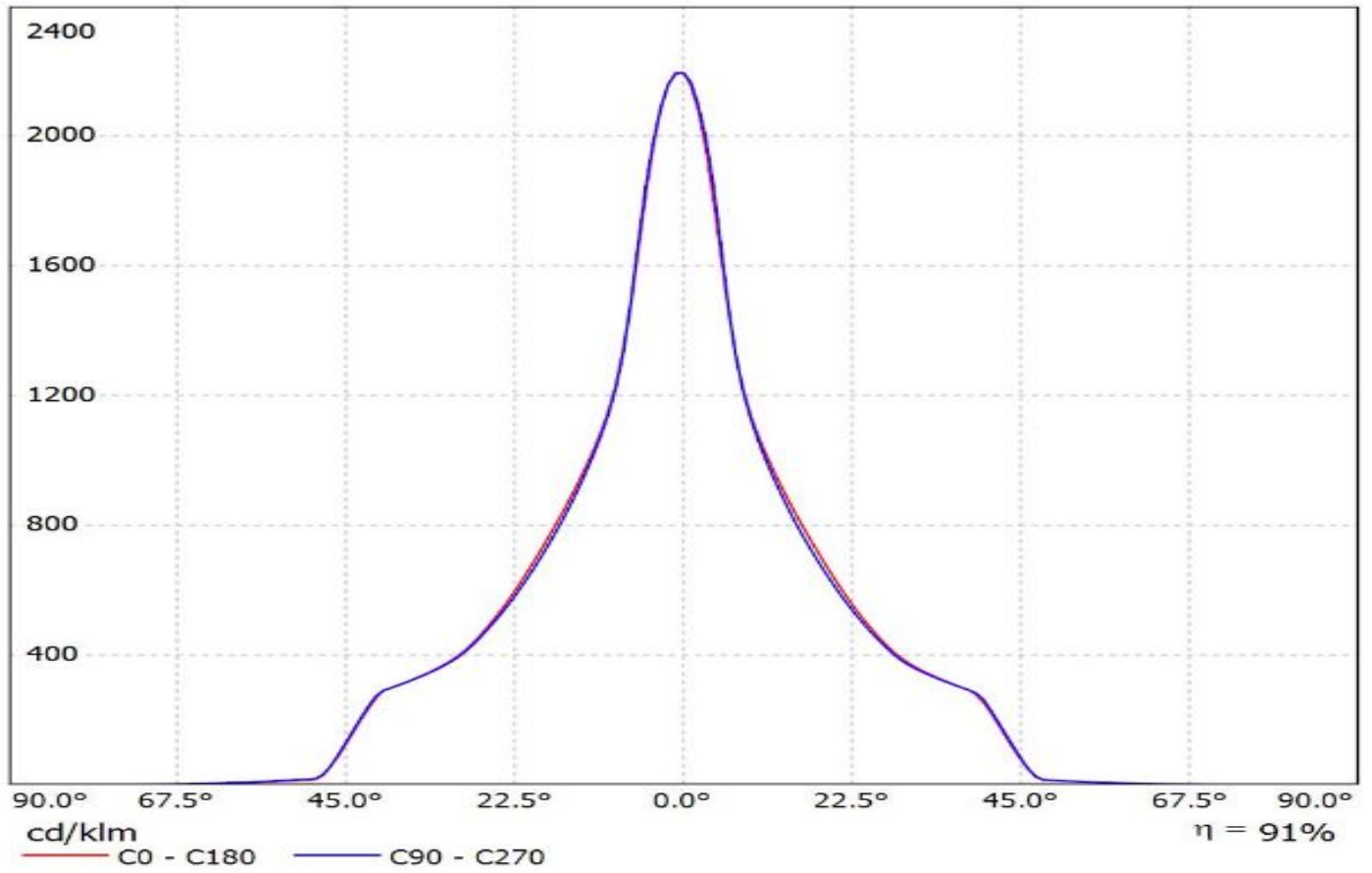
1

D

A

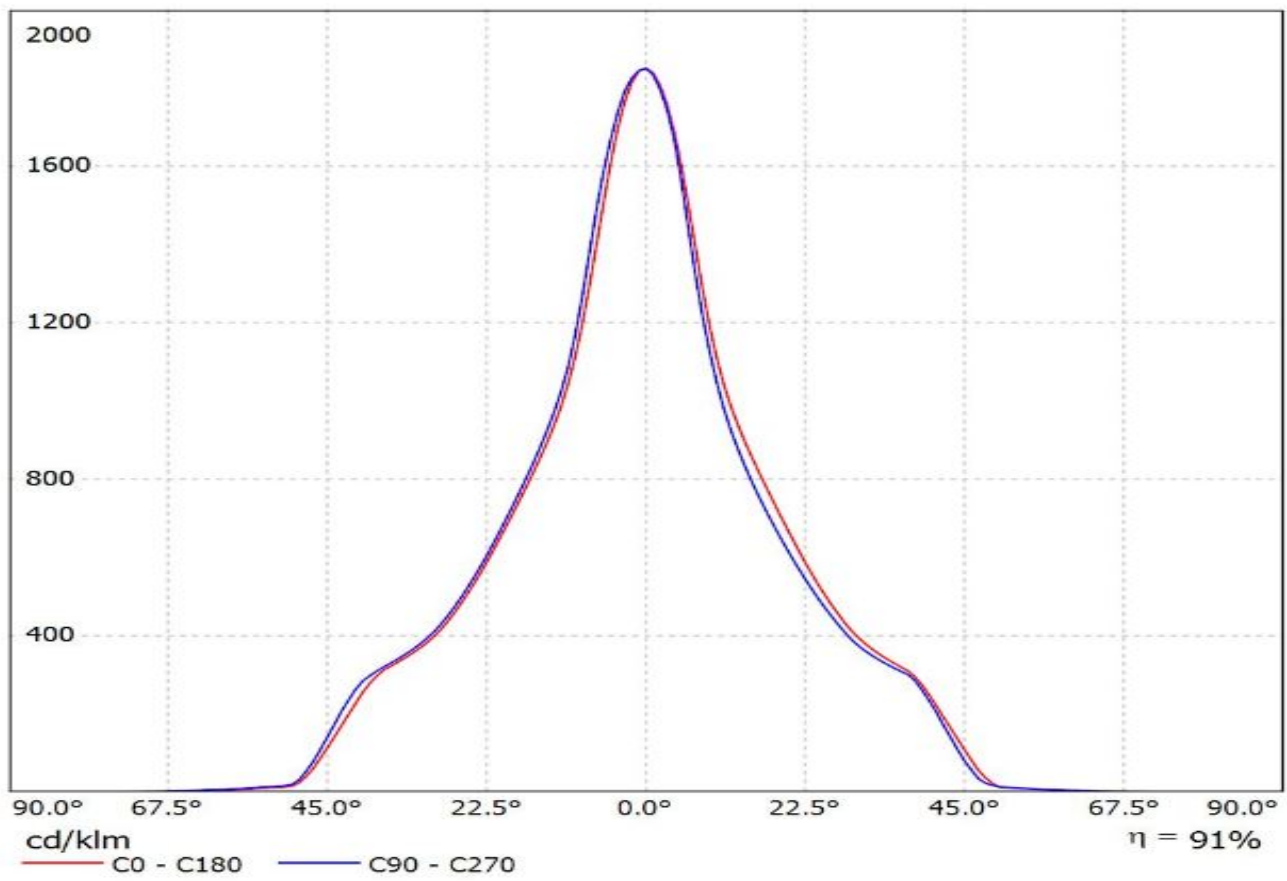
Luminaire: Ledil CA14941_MINNIE-LT-M-PIN_(nfmw488AR)

Lamps: 1 x Nichia_nfmw488AR_568.467lm@100mA_P=4.06643W_I=0.100A

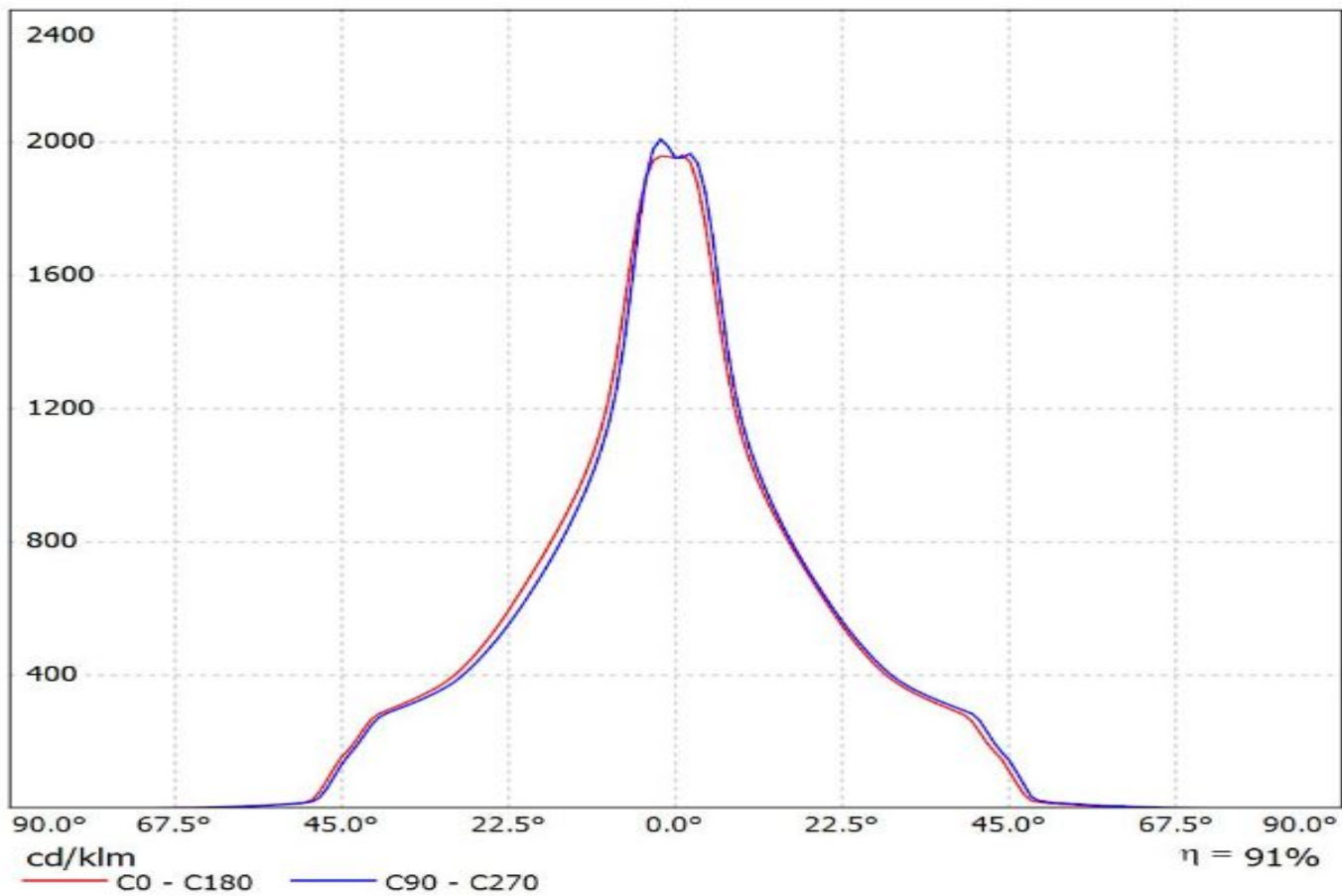


Luminaire: Ledil CA14941_MINNIE-LT-M-PIN (Duris_S10)

Lamps: 1 x Osram_Duris_S10_(GW_P7LP32.EM)_1023.92lm@250mA_P=9.27075W_I=0.25A

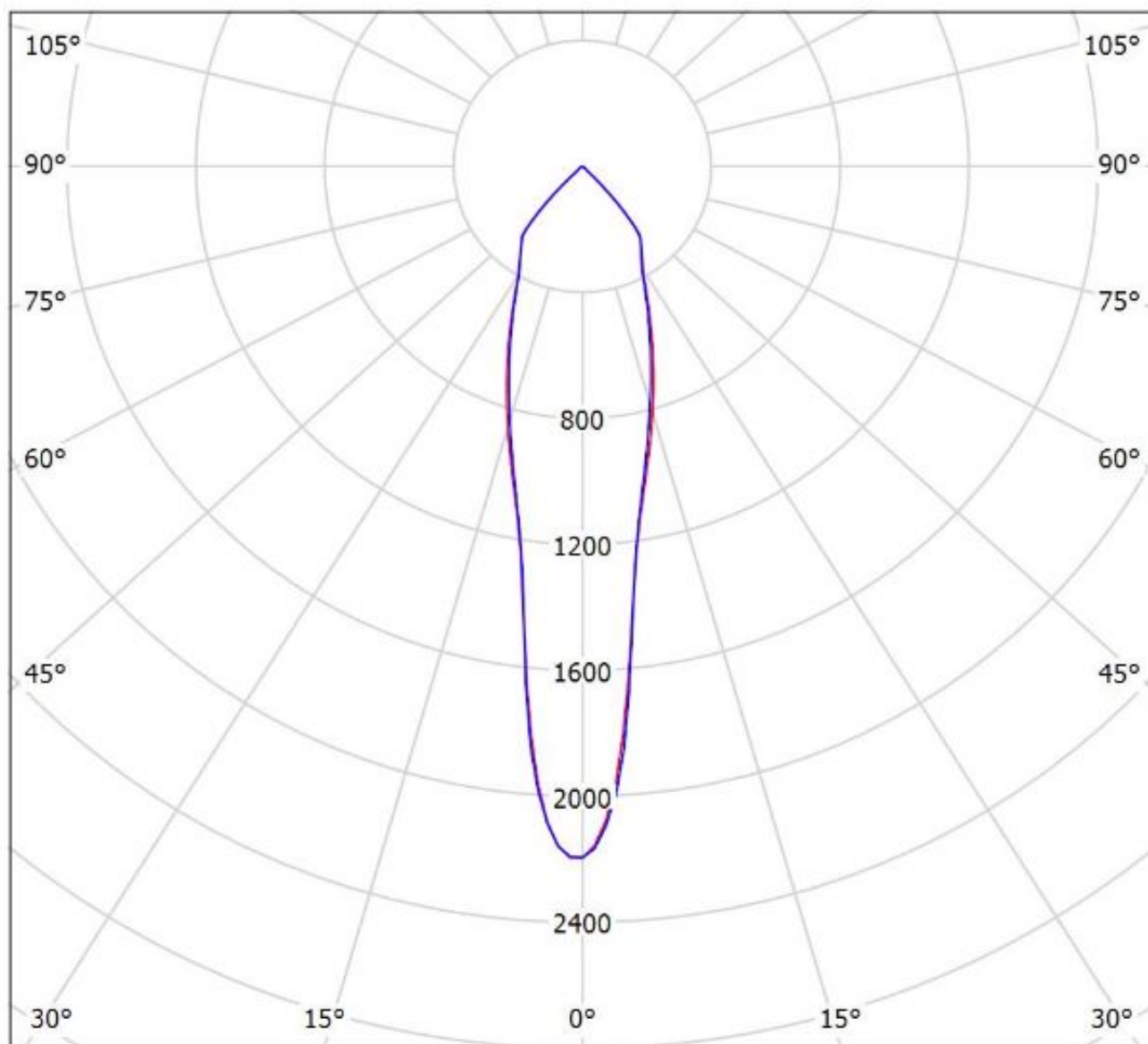


Luminaire: Ledil CA14941_MINNIE-LT-M-PIN_(Duris_P10)
Lamps: 1 x Osram_Duris_P10_457.675lm@250mA_P=2.805W_I=0.25A



Luminaire: Ledil CA14941_MINNIE-LT-M-PIN_(nfmw488AR)

Lamps: 1 x Nichia_nfmw488AR_568.467lm@100mA_P=4.06643W_I=0.100A



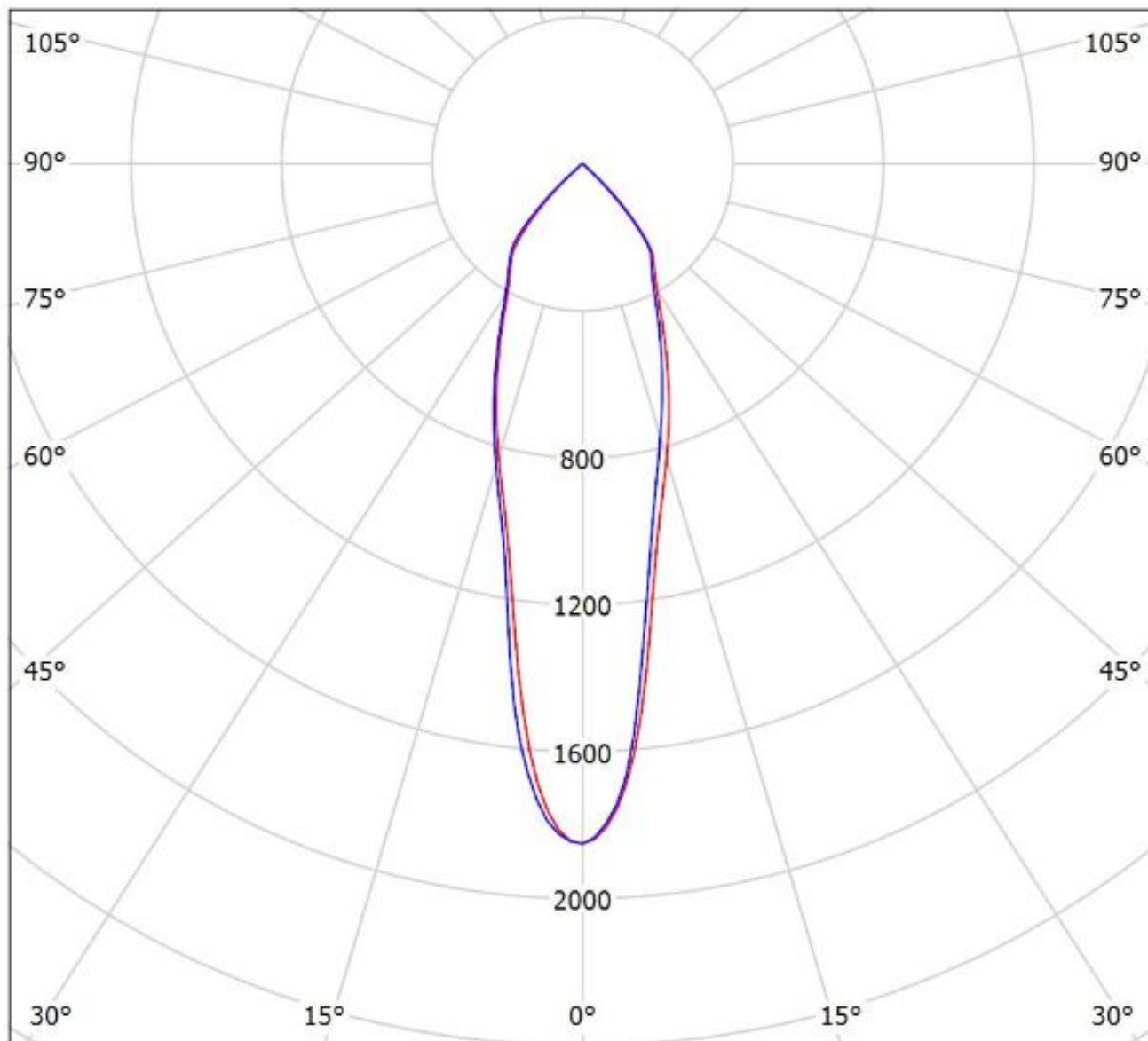
cd/klm

— C0 - C180 — C90 - C270

$\eta = 91\%$

Luminaire: Ledil CA14941_MINNIE-LT-M-PIN_(Duris_S10)

Lamps: 1 x Osram_Duris_S10_(GW_P7LP32.EM)_1023.92lm@250mA_P=9.27075W_I=0.25A



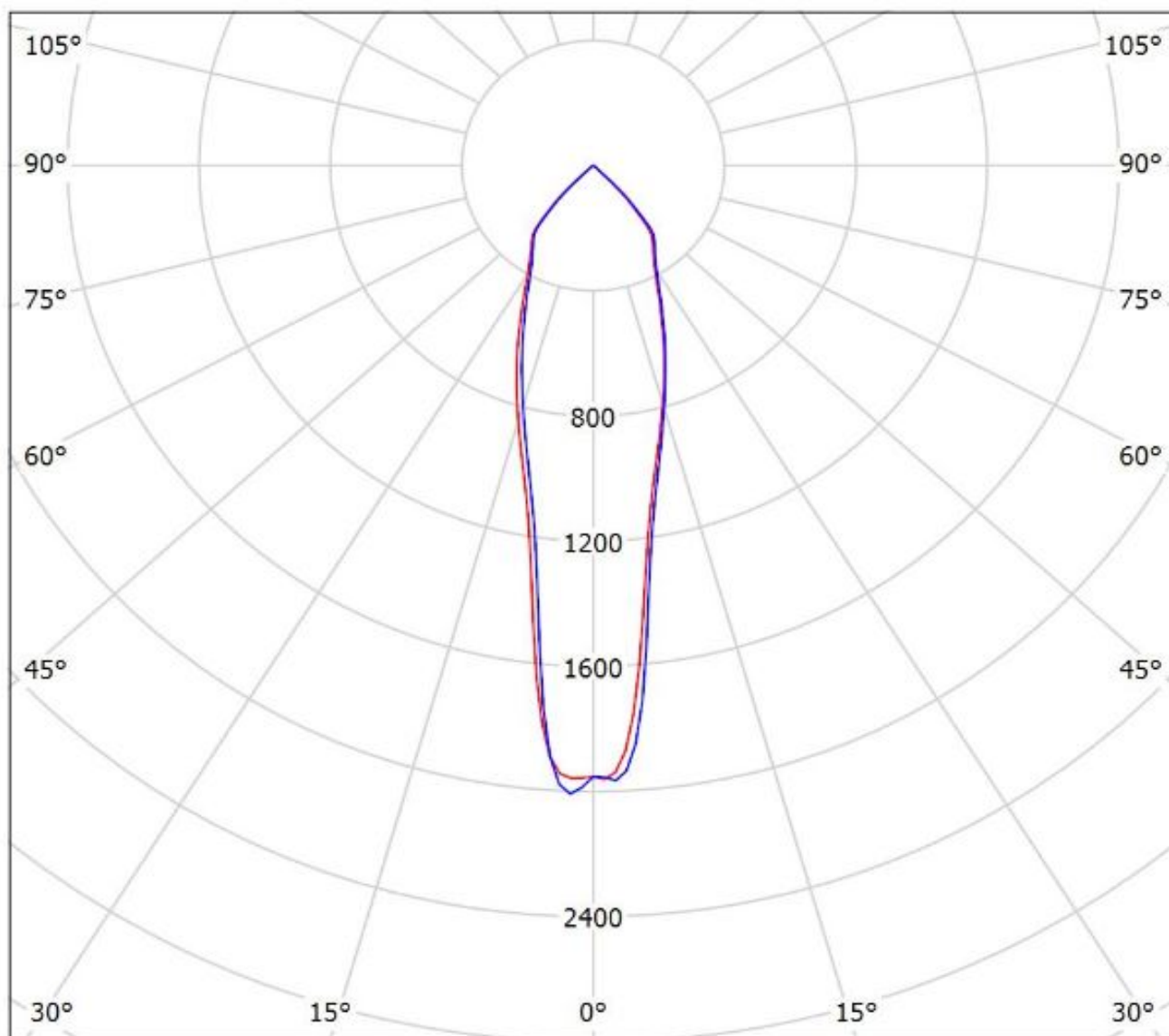
cd/klm

$\eta = 91\%$

— C0 - C180 — C90 - C270

Luminaire: Ledil CA14941_MINNIE-LT-M-PIN_(Duris_P10)

Lamps: 1 x Osram_Duris_P10_457.675lm@250mA_P=2.805W_I=0.25A



cd/klm

— C0 - C180 — C90 - C270

$\eta = 91\%$

NOTE: The typical divergence will be changed by different color, chip size and chip position tolerance. The typical total divergence is the full angle measured where the luminous intensity is half of the peak value.