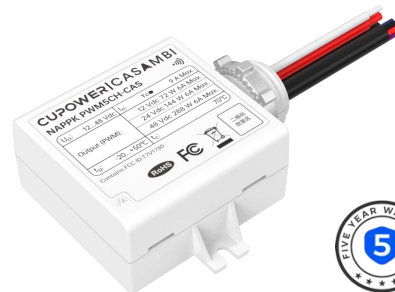


Product features

- 12...48 Vdc input
- This wireless control unit boasts five PWM dimmers for your 12...48 Vdc LED strips
- Commissioned via smart mobile app; compatible devices: iOS and Android Operating Systems
- Utilizes bluetooth mesh technology for reliable and secure wireless communication
- The device provides you with a variety of control options, a variety of control modes freely switch to choose
- The maximum combined output current is 9 A which can be freely divided between 1...5 channels, (Max 6 A/CH)



Electrical specifications

Mains voltage supply

Rated input voltage range	12...48 Vdc
Max. Input Current	9 A
RF Transmit Power	+ 8 dBm
Wireless Frequency	2.4 GHz
Wireless Range (Open Air)	50 m

Control Output

Output Voltage	12...48 Vdc
Output Current (PWM)	12 Vdc 72 W 6 A MAX 24 Vdc 144 W 6 A MAX 48 Vdc 288 W 6 A MAX

Environmental specifications

Operating temperature	-20...+50°C
Storage temperature	-25...+85°C
Working humidity	0%...80%
Store humidity	0%...95%
Lifetime	at Tc 70°C: 50,000 hrs
Maximum Tc temperature	70°C
Lifetime Rating	50,000 hrs
Moisture and Dust Rating	IP20

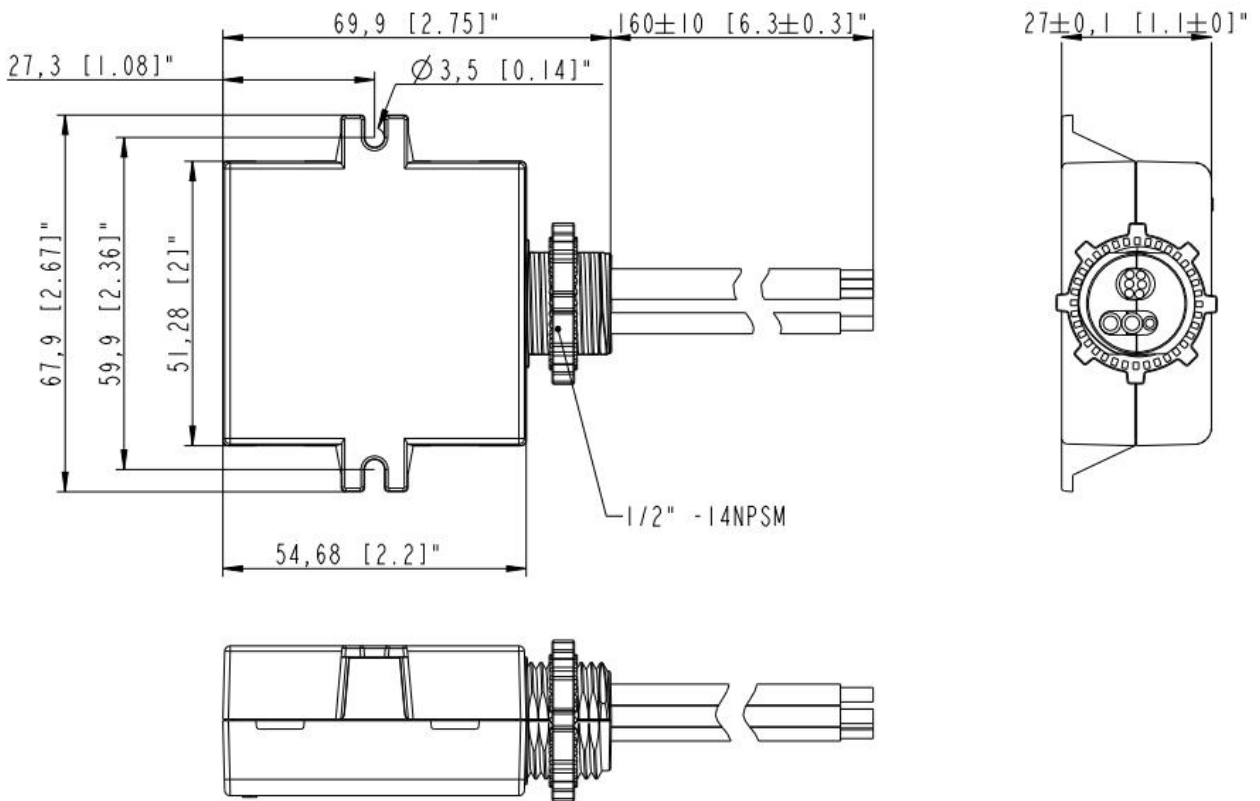
Dimensions

Housing dimensions

Length (L)	69.9 mm
Width (W)	67.9 mm
Height (H)	27 mm
Weight	0.092 kg

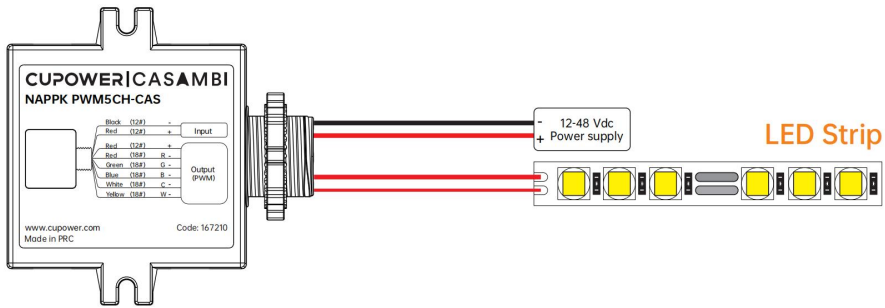
Packaging details

Packing units	40 pcs
Carton size	322 × 260 × 218 mm
Weight	4.2 kg

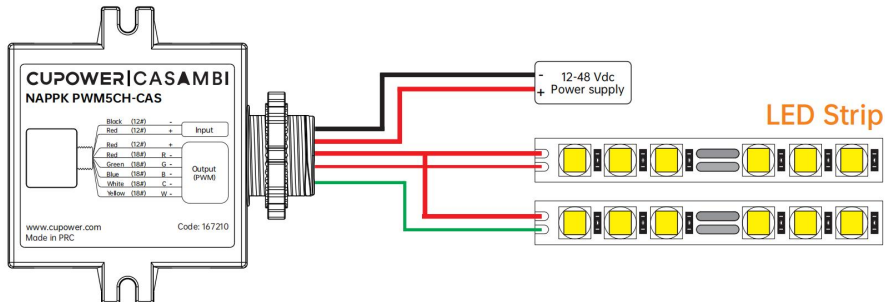


Wiring Diagram

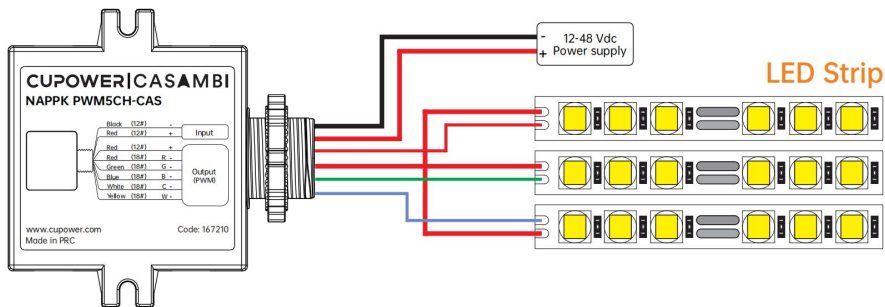
39839
NAPPK 1xDim 1CH



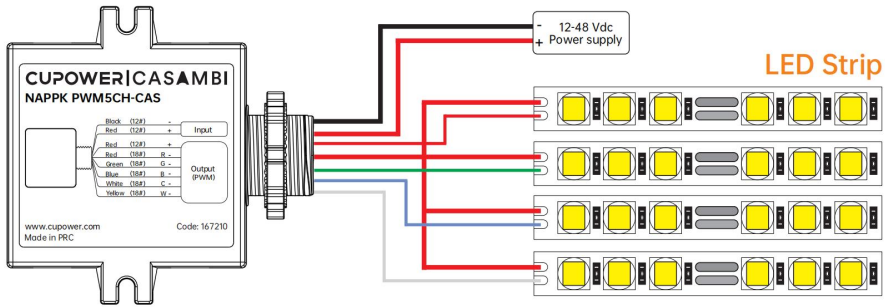
39840
NAPPK 2xDim 2CH



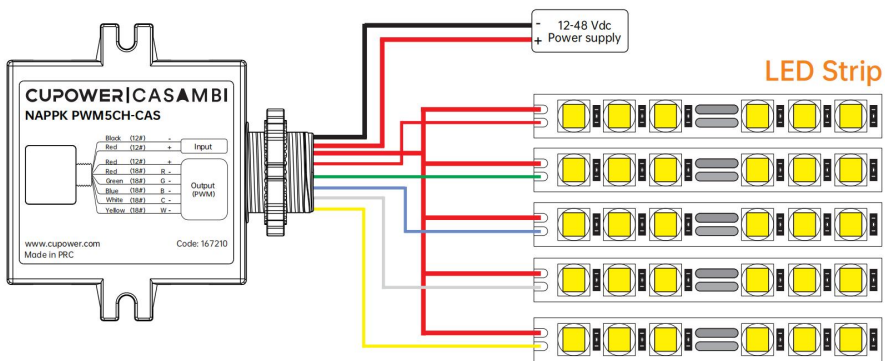
39841
NAPPK 3xDim 3CH



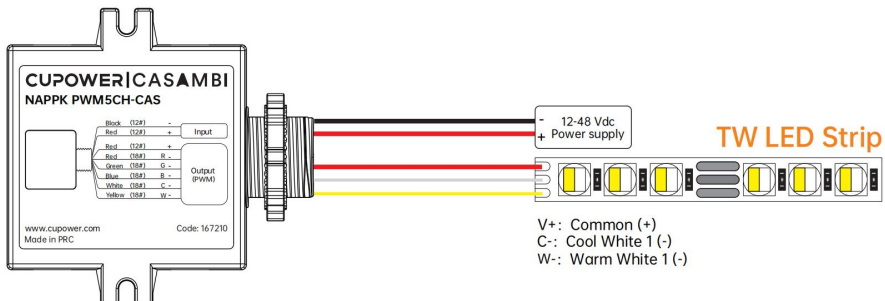
39842
NAPPK 4xDim 4CH



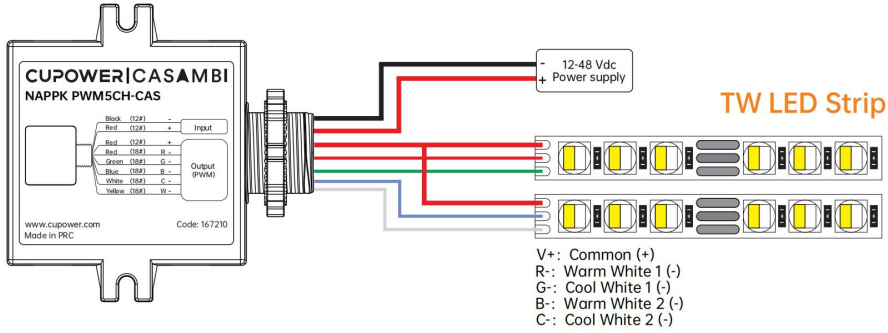
39843
NAPPK 5xDim-5CH



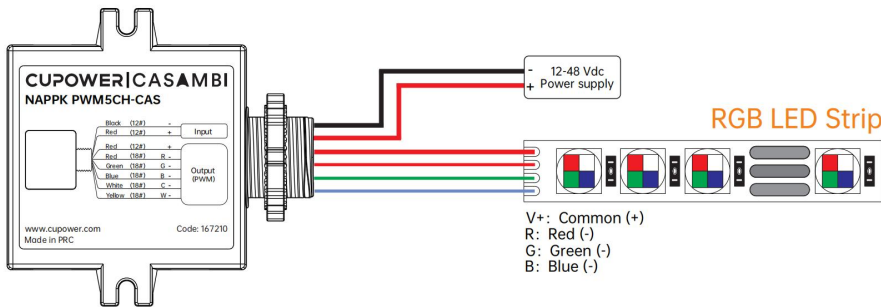
39844
NAPPK TW-2CH



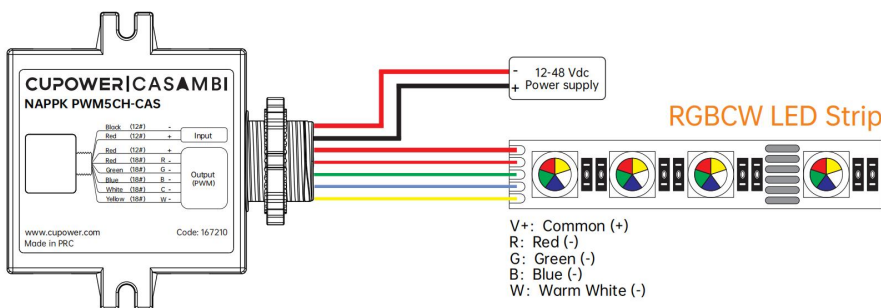
39845
NAPPK 2xTW-4CH



39846
NAPPK RGB-3CH



39847
NAPPK RGBW-4CH



36695
NAPPK RGBTW-5CH

