

# SHAPING YOUR LIGHT

# GAGGIONE

**PATENTED TECHNOLOGY**

## LLC59x Range

### Narrow Beam Colour Mixing Collimators

Based on its knowledge on stage lighting applications with extremely big and narrow optics, GAGGIONE is proud to present a new 45 mm diameter colour mixing collimator range. Based on patented technology, three references are available with various beam angle versus colour mixing compromises :



#### LLC59U : Ultra Narrow Beam

The Narrowest market available 45 mm Collimator. Capable of providing extra sharp beam of 4° FWHM with 1 mm<sup>2</sup> LES. Extreme beam consistency and cut-off. Provides colour mixing features but works also with high power white LEDs for ultra narrow / small form factor requirements.



#### LLC59N : Narrow Beam

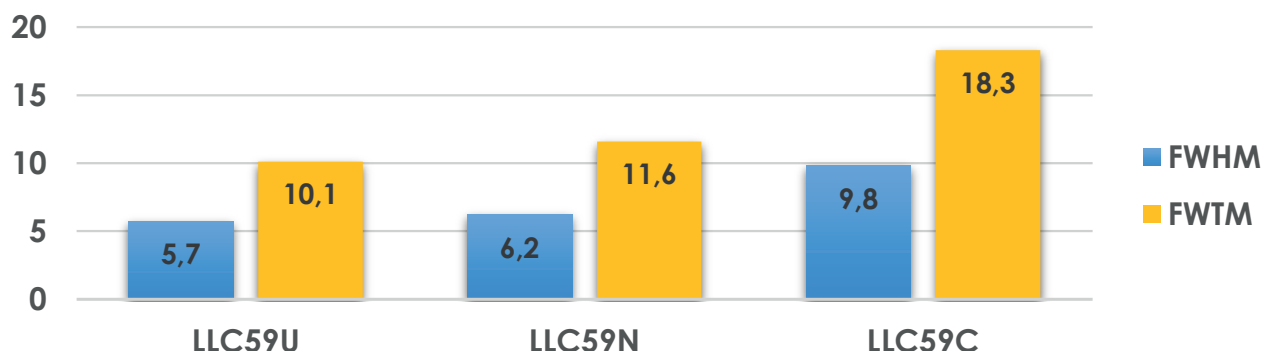
Designed considering Entertainment / Stage lighting applications. Balanced compromise between beam angle and colour mixing capability. Best available solution when having to deal with sharp beam requirements and colour mixing capability.



#### LLC59C : "Colour" Narrow Beam

Applicable when needing a less than 10° narrow beam without any compromise to be done on colour mixing quality. Designed to fit actual architectural / interior most demanding wall glazing applications.

Beam Angles in ° combined with 4 mm<sup>2</sup> RGBW flat top LED

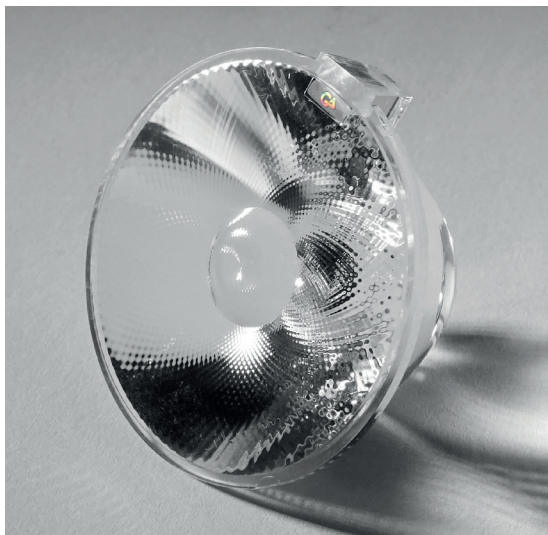


**Product Authentication :**

To ensure customers that their product is a genuine one, LLC59U is the first collimator range to benefit from the new proprietary holographic authentication technology.

**LED Compatibility :**

The wide 10 mm diameter input port ensures that the LLC59 range will work with all existing multi colour solutions, including both multi-chip LEDs and multiple single chip clusters. LLC59 range will also be an interesting option for multi chip white LEDs, as the colour mixing feature will ensure beam consistency.



LLC59U Matrix



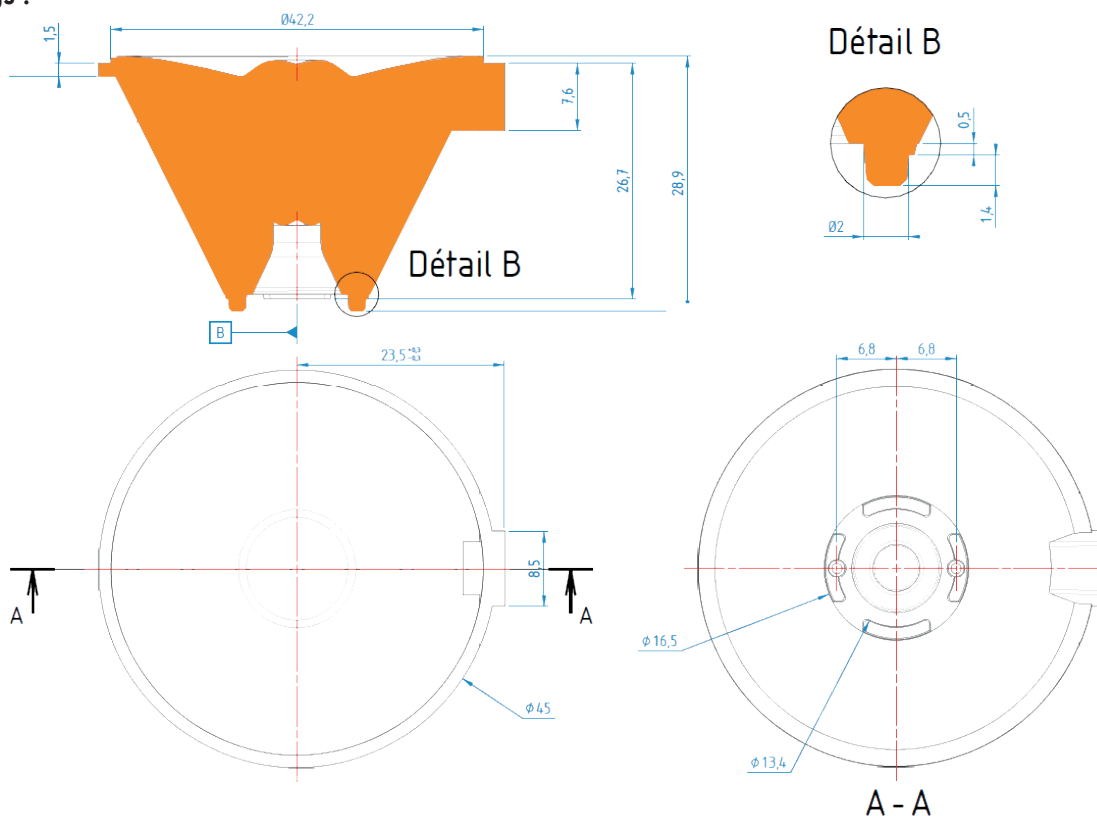
LLC59N Matrix



LLC59C Matrix



**2D Drawings :**



For additional information please refer to [www.lednlight.com](http://www.lednlight.com) or contact your local Sales Manager.

The information contained in this document and/or attachment/s may be confidential and/or legally privileged. It has been sent for the sole use of the intended recipient(s). As recipient of this information, please treat this information to professional standards accordingly. If the reader of this message is not an intended recipient, you are hereby notified that any unauthorized review, use, disclose, dissemination, distribution, or copying of this communication, or any of its contents, is strictly prohibited. If you have received this communication in error, please contact the sender by replying email and destroy all copies of the original message.